

1 SLAB FOUNDATION PLAN
 A3 SCALE: 1/8" = 1'-0"

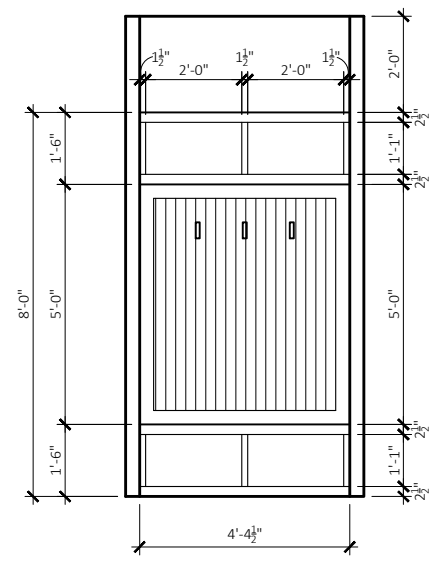
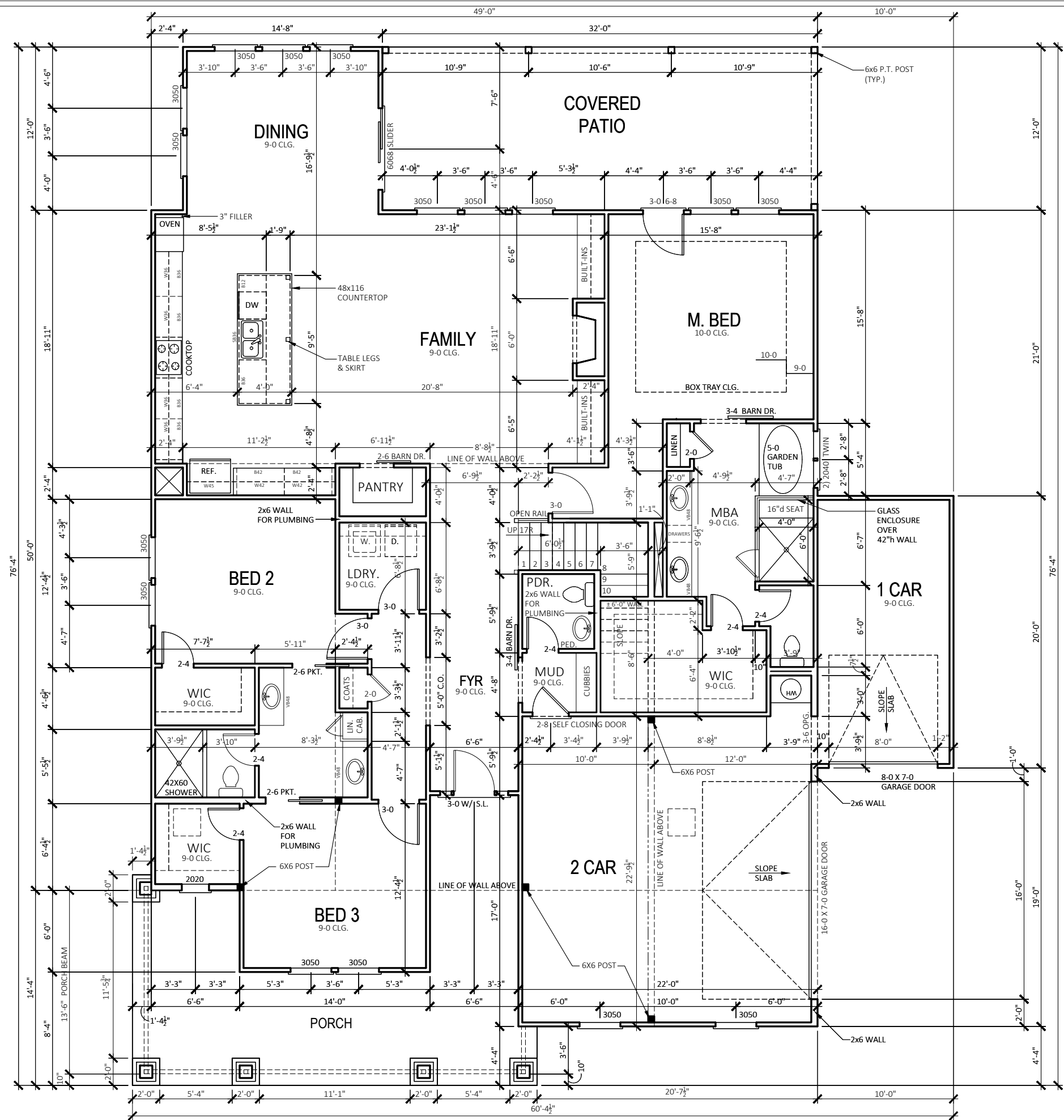
SJB
 RESIDENTIAL LLC.

FAIRFIELD
 Plan A.2

9225
 TARNWOOD LN.

REVISIONS

PLAN DATE: 07-21-2015
 START: 08-06-2019



2 CUBBIES DTL.
A4 SCALE: 1/4" = 1'-0"

SQUARE FOOTAGE	
1ST FLOOR	2378 S.F.
2ND FLOOR	658 S.F.
TOTAL	3,036 S.F.
FRONT PORCH	376 S.F.
GARAGES	706 S.F.

1 FIRST FLOOR PLAN
A4 SCALE: 1/8" = 1'-0"

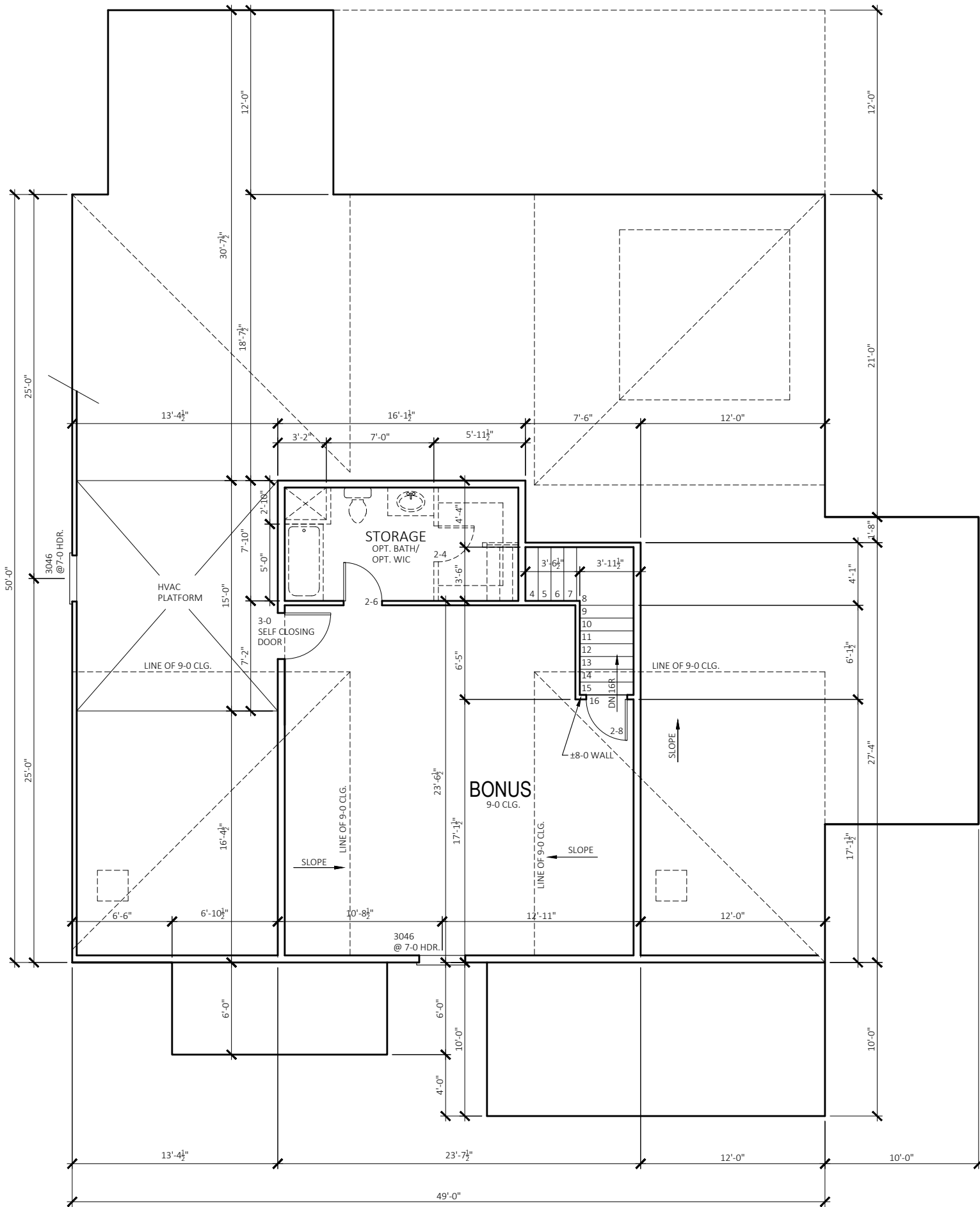
SJB
RESIDENTIAL LLC.

FAIRFIELD
Plan A.2

9225
TARNWOOD LN.

REVISIONS

PLAN DATE: 07-21-2015
START: 08-06-2019



1 SECOND FLOOR PLAN
A5 SCALE: 1/8" = 1'-0"

SJB
RESIDENTIAL LLC.

FAIRFIELD
Plan A.2

9225
TARNWOOD LN.

REVISIONS
PLAN DATE: 07-21-2015
START: 08-06-2019

